

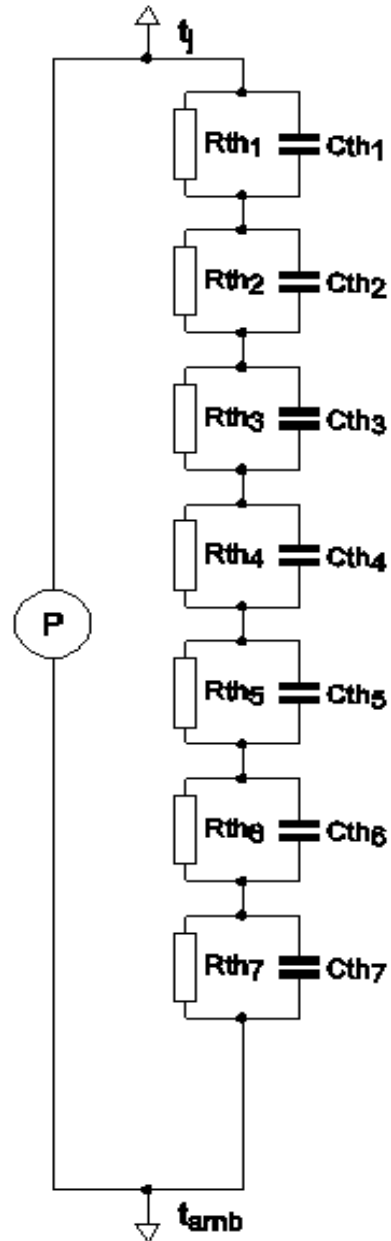
## SPICE thermal model

BUK9Y43-60E

Symbol	Parameter	Conditions	Min	Typ	Max	Unit
$R_{th(j-mb)}$	thermal resistance from junction to mounting base		-	-	3.33	K/W

$C_{th1}$	1.391E-05 F
$C_{th2}$	8.369E-05 F
$C_{th3}$	1.007E-04 F
$C_{th4}$	7.010E-04 F
$C_{th5}$	9.370E-04 F
$C_{th6}$	4.967E-03 F
$C_{th7}$	7.711E-02 F

$R_{th1}$	6.625E-03 $\Omega$
$R_{th2}$	1.505E-02 $\Omega$
$R_{th3}$	8.856E-02 $\Omega$
$R_{th4}$	1.705E-01 $\Omega$
$R_{th5}$	8.947E-01 $\Omega$
$R_{th6}$	1.999E+00 $\Omega$
$R_{th7}$	1.566E-01 $\Omega$



Part: BUK9Y43-60E  
 Date: 25/1/2013  
 Rth 3.33 K/W